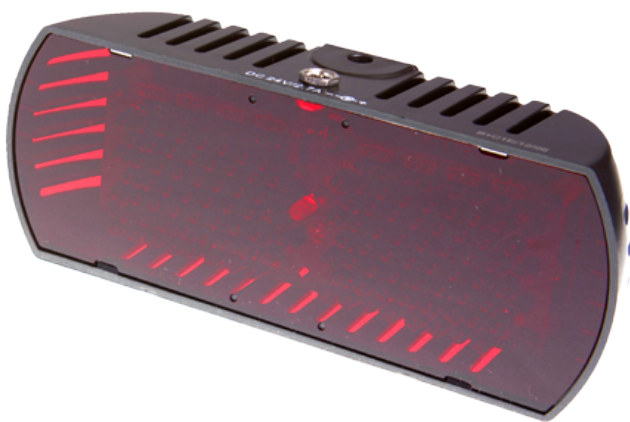


ACTIVHUB™ IR50

Infra-red 3D emitter (10 to 50 seats)



Cinema-quality 3D for your VIP room

- No silver screen required, high-quality images preserved at all seating positions
- Infra-red emitter for active 3D glasses
- Ceiling/wall mounts included
- Complete HFR compatibility



PERFORMANCE

Recommended installation

Number of seats	50 seats (approx.)
Projector type	DLP, DILA
Screen	White - gain 1.0 / 1.2 / ...
Compatible glasses	VolfoNI IR 3D glasses

COMPATIBILITY

3D projectors

DCI*	Yes (cable optional)
DLP	Yes
3xDLP	Yes
DILA (JVC, DreamVision, Wolf Cinema)	Yes
3xLCD (Epson, Panasonic...)	No

Flatscreen 3DTVs

Plasma	Yes (certain conditions apply)
LCD / LED 3DTVs	No
LCD 3D screens and PCs	No
DLP TVs	Yes

3D sync source

GPIO (3D Cinema)	Yes (cable optional)
VESA DIN-3	Yes
BNC	Yes

3D Protocols

3D Cinema (IR)	Yes
----------------	-----

Émission

Frame Rates

96 Hz HFR & Home Cinema 3D	Yes
120 Hz Sport HFR & 3D-Ready™	Yes
144 Hz Triple Flash 3D Cinema	Yes
192 Hz HFR Full Comfort	Yes

SPECIFICATIONS

Power

Supply	24V DC / 110-240V AC
--------	----------------------

Certification

CE	Yes
ROHS	Yes

Qualification

Panasonic	Yes
-----------	-----

Infra-red

Wavelength	940nm
IR range	Up to 45m

Logistics

Operating temperature	0°C to 40°C (32°F to 104°F)
Storage temperature	-5°C to 50°C (23°F to 122°F)
Relative humidity	20% to 80%
Product dimensions (LxWxH)	180x70x45mm (7.08x2.75x1.77in)
Product weight	215 g (7.58 oz)
Warranty	1-year

PACKAGING

Composition

- ActivHub IR50
- SUB-D9/BNC cable
- SUB-D9/VESA cable
- Universal mount fastening
- 110/240V power cable
- User guide

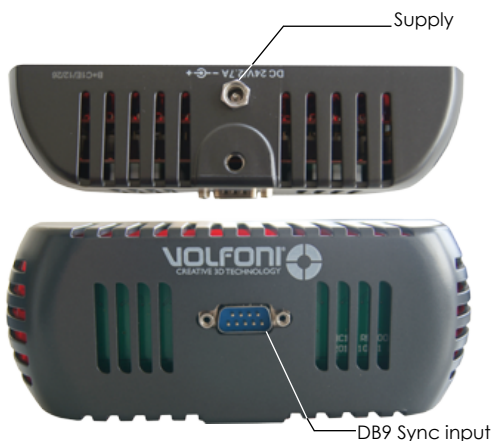
Accessories (optional)

- GPIO cable

Weight and Dimensions

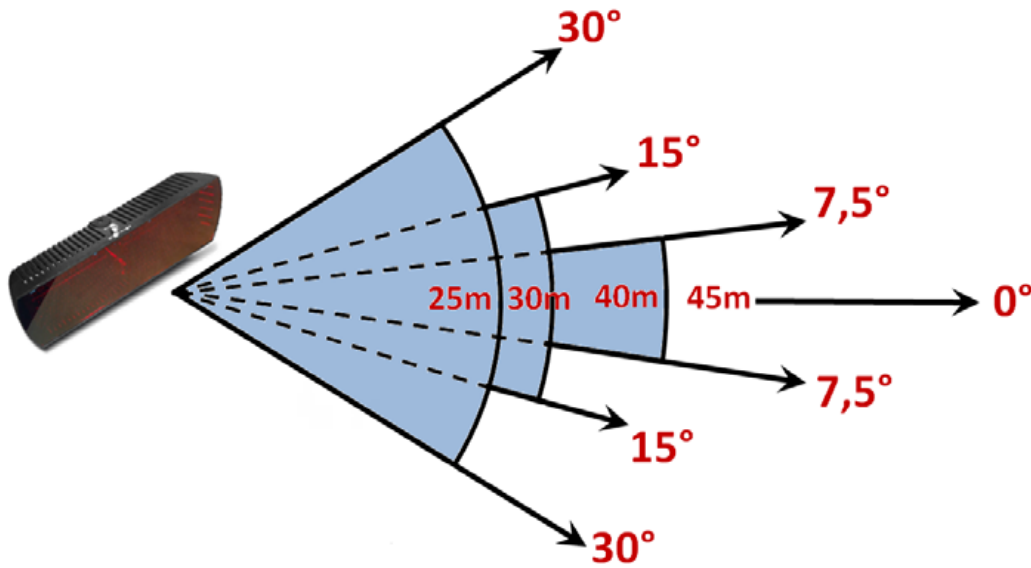
Packaging dimensions (LxWxH)	220x150x85mm (8.66x5.9x3.34in)
Packaging weight	1kg (35.27 oz)
Order reference	VPES-05000

* Barco, Christie, Cinemeccanica, Kinoton, Nec



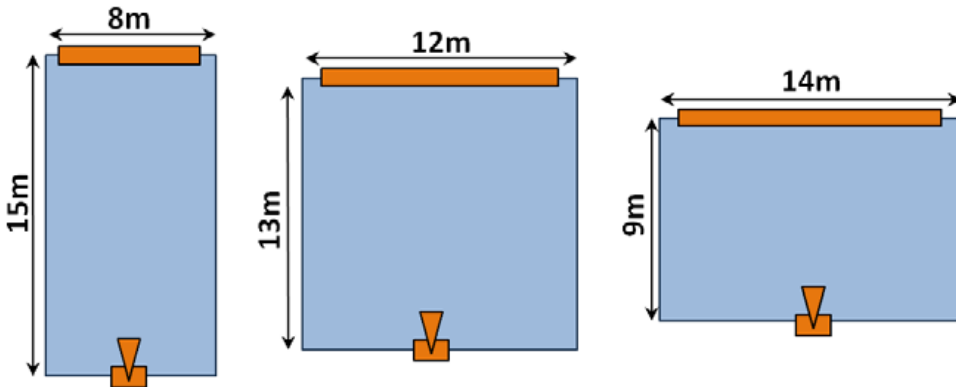


Wavelength and set-up example



The ActivHub IR50 comes with a 3m long sync cable. Sync cables can be up to 30m long (optional).

Theater set-up informations



The emitter works with theaters up to 50 seats

Maximum theater sizes when equipped with 1 IR emitter

These measurements are exact when used with Volfoni EDGE 1.2 3D glasses. For all other configurations or further set-up information, please contact Volfoni.